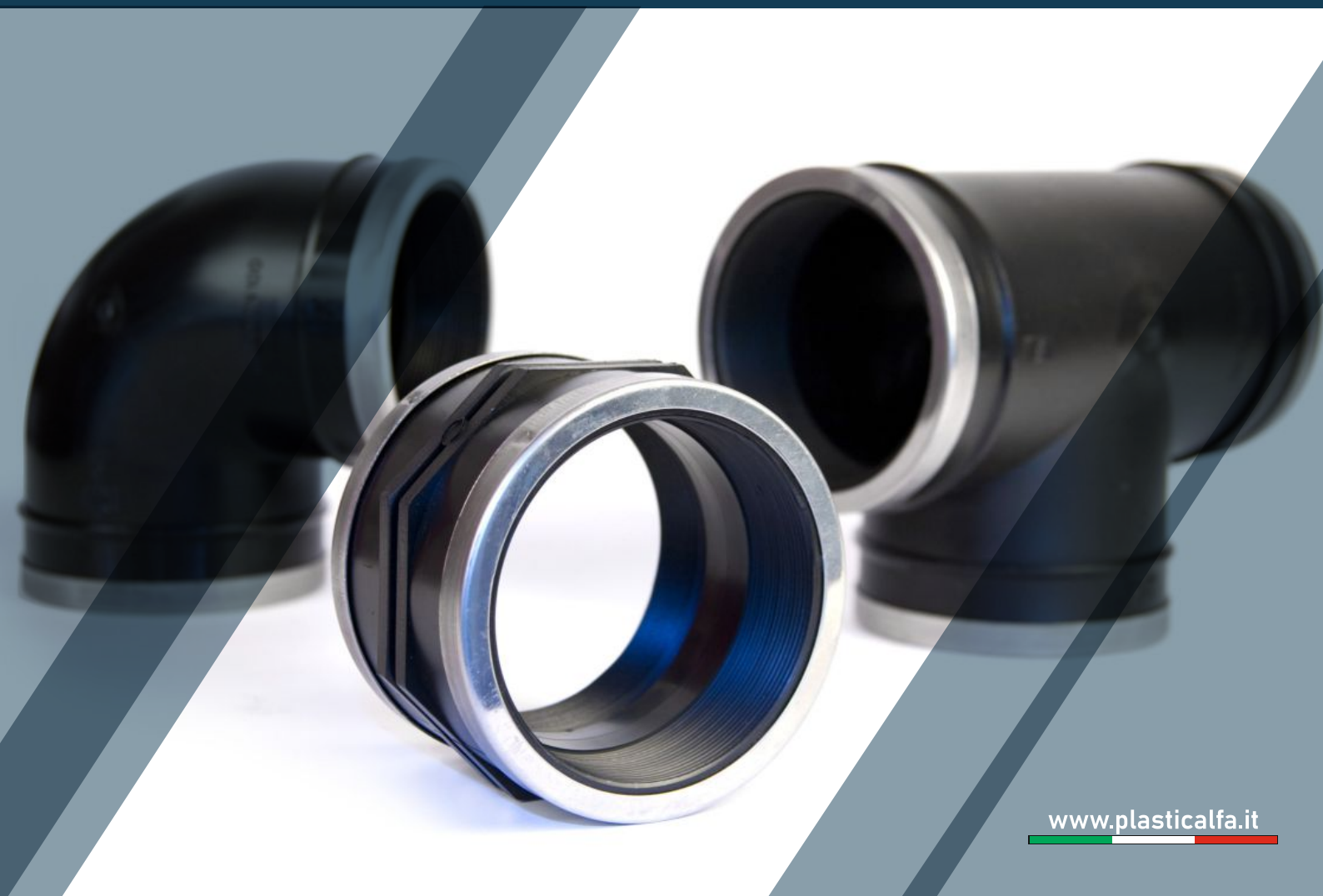




PLASTICA ALFA
INNOVATION & WATER TECHNOLOGIES

RACCORDI FILETTATI Threaded Fittings

Technical Catalogue



MATERIALI MATERIALS

Corpo: polipropilene nero (PP)
Anello di rinforzo: acciaio inox "AISI 430"

Body: black polypropylene (PP)
Reinforcing ring: stainless steel "AISI 430"

PRESSIONE DI ESERCIZIO AMMISSIBILE (PFA)

PN 10 ad esclusione del ø4" Filettato femmina (PN6)
(Massima pressione d'esercizio alla temperatura di 20° C.)

ALLOWABLE OPERATING PRESSURE (PFA)

PN 10 except Female threads ø4" (PN6)
(Maximum working pressure at the temperature of 20° C.)

PRESCRIZIONI SANITARIE

Pezzi speciali idonei al convogliamento di acqua potabile, vino, bevande e fluidi alimentari secondo le leggi e le prescrizioni valide in Italia ed in altri paesi.
Conformi a quanto richiesto dal DM (salute) n. 174 del 6 aprile 2004 n. 174

SANITARY REGULATIONS

Special pieces suitable for the conveyance of drinking water, wine, drinks and alimentary fluids according to the applicable regulations in Italy and other countries.
In conformity with the Health Department DM n. 174 of 4 april 2004

CONFORMITÀ

I raccordi filettati sono conformi alla norma UNI EN 10226/1

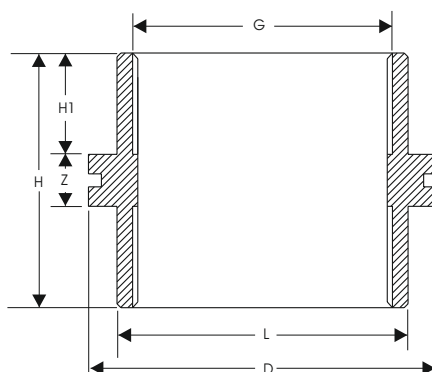
CONFORMITY

The threaded fittings are in conformity with the standard UNI EN 10226/1

Manicotto

Coupling

15021

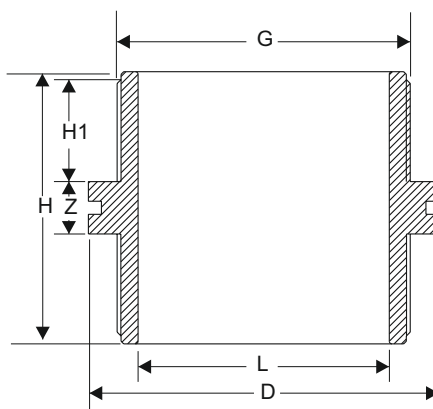


G	L	D	Z	H	H1
Ø 1/2"	30.5	30.5	9.5	21.5	52.5
Ø 3/4 "	36	36	9.5	21.5	52.5
Ø 1"	45	45	9.5	21.5	52.5
Ø 1" 1/4"	51	51	9.5	21.5	52.5
Ø 1" 1/2"	64	61.6	15.5	19.5	54.5
Ø 2"	79	79	15.5	23	61.5
Ø 2" 1/2	91	95	17.5	28.5	74.5
Ø 3"	110	110	17.5	31.5	80.5
Ø 4"	135	135	20	38	96

Nipplo

Nipple

15020

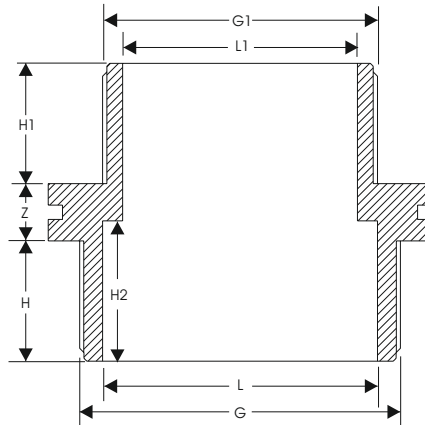


G	L	Z	H	H1
Ø 1/2"	13.5	10.5	45	17.2
Ø 3/4 "	17.5	10.5	48.5	19.5
Ø 1"	23	10.5	52.5	21.5
Ø 1" 1/4"	29.5	10.5	59	24.5
Ø 1" 1/2"	35	10.5	59	24.5
Ø 2"	44	15.5	66.5	25.5
Ø 2" 1/2	59	15.5	72.5	28.5
Ø 3"	68	17.5	80.5	31.5
Ø 4"	96.5	20	105.5	42.9

Niplo Ridotto

Reducing nipple

15030

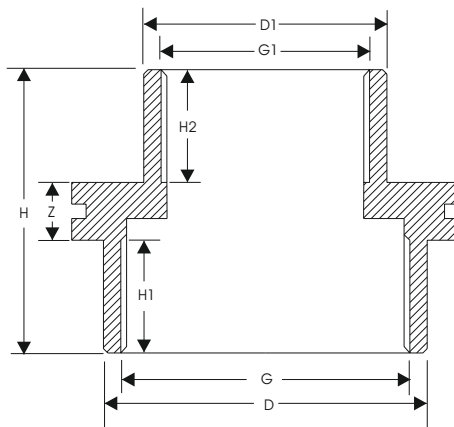


G x G1	L	L1	H	H1	H2	Z
Ø 3/4" x 1/2"	17.5	13	19	18	24.5	10.5
Ø 1" x 1/2"	23	13	21.5	17.5	26.5	10.5
Ø 1" x 3/4"	23	17.5	21.5	19.5	26.5	4
Ø 1"1/4 x 3/4"	30	17.5	21.5	21.5	24	6
Ø 1"1/4 x 1"	30	23	24	21	29	10.5
Ø 1"1/2 x 1"	35	23	21	21	24	6
Ø 1"1/2 x 1"1/4	35	30	24	24	29	10.5
Ø 2" x 1"1/2	44	35	26	24	33	15.5
Ø 2"1/2 x 2"	59	44	28.5	26	36	15.5
Ø 3" x 2"	67.5	44	31.5	26	40	17
Ø 3" x 2"1/2	67.5	59	31.5	28.5	40	17
Ø 4" x 3"	96	67.5	43	34	53	20.5

Manicotto Ridotto

Reducing socket

15031

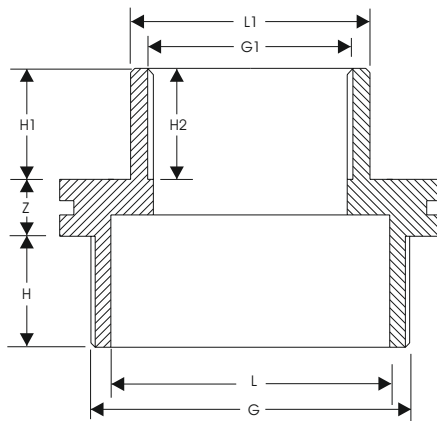


G x G1	D	D1	H	H1	H2	Z
Ø 3/4" x 1/2"	36	30	52.5	21	21	10
Ø 1" x 3/4"	45	37	52.5	21.5	20	10
Ø 1"1/4 x 1"	51.5	45	52.5	24	20	10
Ø 1"1/2 x 1"1/4	62	56	59	23	27	15.5
Ø 2" x 1"1/2	79.5	62	58	26	22.5	15.5
Ø 2"1/2 x 2"	95	80	69.5	28	28	17.5
Ø 3" x 2"	110	79	70.5	32.5	27.5	17.5
Ø 3" x 2"1/2	110	95	77	32.5	32.5	17.5
Ø 4" x 3"	135	110	90	38	34	20

Manicotto Ridotto M - F

Reducing socket M-F

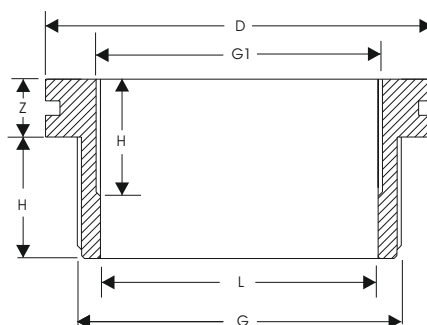
15040



G x G1	L	L1	H	H1	H2	Z
Ø 1/2" x 1/2"	13.5	31	22	21.5	23	10
Ø 3/4" x 1/2"	17	30	21.5	21.5	17	10
Ø 1" x 3/4"	24	36	21.5	21.5	20	10
Ø 1"1/4 x 3/4"	30	36	21.5	21.5	18.5	10
Ø 1"1/4 x 1"	30	36	22	21.5	24	10
Ø 1"1/2 x 1"1/4	38	52	22	21.5	27	10
Ø 1" x 1"1/2	43.5	62	26	19	27	16
Ø 2"1/2 x 2"	59	79	29	23	29.5	16
Ø 3" x 2"	68	74.5	31	23	30	17.5
Ø 3" x 2"1/2	68	95	31	28	37.5	17.5
Ø 4" x 3"	88.5	110	42	35	31	20.5

Riduzione corta M-F

Male-female reducing bush

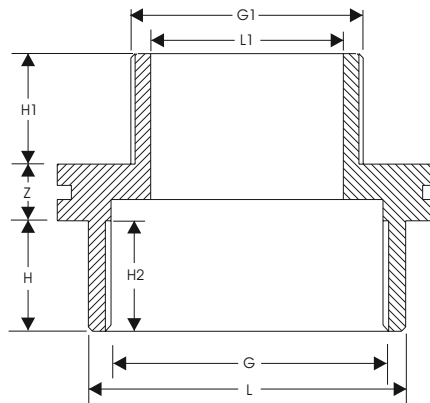
15041


G x G1	D	L	H	H1	Z
Ø 3/4" x 1/2"	31	17.5	19.5	19	10.5
Ø 1" x 1/2"	38	17.5	21.5	17.5	10.5
Ø 1" x 3/4"	38	22.5	21.5	19.5	10.5
Ø 1"1/4 x 1/2"	48.5	29	24.5	16	10.5
Ø 1"1/4 x 3/4"	48.5	28	24.5	18	10.5
Ø 1"1/4 x 1"	48.5	29	24.5	20	10.5
Ø 1"1/2 x 1/2"	54	29	24	18	11
Ø 1"1/2 x 3/4"	54	34	24	18.5	11
Ø 1"1/2 x 1"	54	29.5	24	20.5	11
Ø 1"1/2 x 1"1/4	54	37	24	25.5	11
Ø 2" x 3/4"	64.5	45.8	26	19	15.5
Ø 2" x 1"	64.5	46.5	26	22	15.5
Ø 2" x 1"1/4	64.5	38	26	25	15.5
Ø 2" x 1"1/2	64.5	43.5	26	26	15.5
Ø 2"1/2 x 2"	80	60	28.5	24.5	15.5
Ø 3" x 1"	93	67.5	32	21	17.5
Ø 3" x 2"	93	68.5	32	26	17.5
Ø 3" x 2"1/2	93	70.5	32	30.5	17.5
Ø 4" x 2"	135	88	43	25.5	21
Ø 4" x 3"	135	88	43	34	21

Manicotto Ridotto F-M

Reducing socket F-M

15045

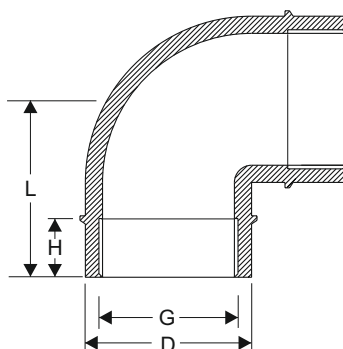


G x G1	L	L1	H	H1	H2	Z
Ø 3/4" x 1/2"	36.5	13.5	21.5	22	21	10
Ø 1" x 1/2"	45	13	21.5	22	21	10
Ø 1" x 3/4"	45	17	21.5	22	20	10
Ø 1"1/4 x 1"	52	23.5	21.5	21.5	22	10
Ø 2" x 1"1/2"	95	44	28	26	31	17.5
Ø 3" x 2"	110	59	31	29	34	17.5
Ø 4" x 3"	135	68	38.5	34	40	21

Gomito 90° Filettato Femmina

16050

90° female threaded elbow

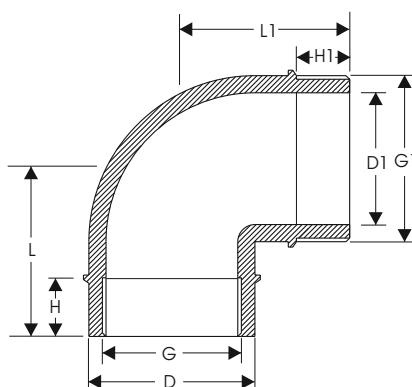


G	L	D	H
Ø 1/2"	29	28	17
Ø 3/4"	36	34.5	21.5
Ø 1"	44	42.5	23
Ø 1" 1/4"	48.4	51	24
Ø 1" 1/2"	56	64	27
Ø 2"	69.5	80	29
Ø 2" 1/2	98	95.5	29
Ø 3"	108	110	30.5
Ø 4"	127.5	135	35

Gomito 90° Maschio-Femmina

16051

90° male- female threaded elbow

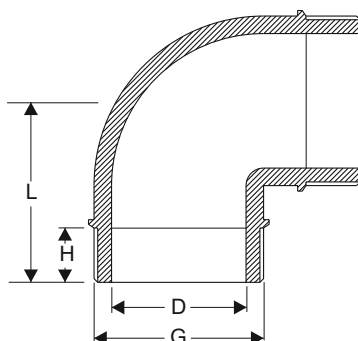


G-G1	L	L1	D	D1	H	H1
Ø 1/2"	29	37	28	11.5	17	18
Ø 3/4"	35	44.5	34.5	18.5	21	22
Ø 1"	43.5	49	42.5	23.5	23.5	20.5
Ø 1" 1/4"	48	58	51	29.5	25.5	23.5

Gomito 90° Filettato maschio

16052

90° male threaded elbow

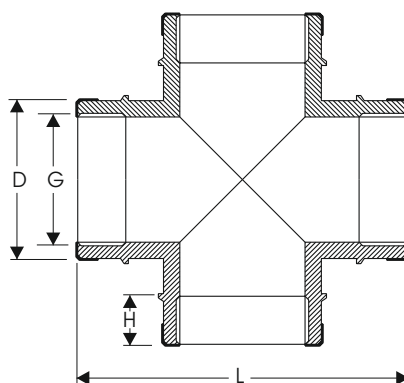


G	L	D	H
Ø 1/2"	39	14	22
Ø 3/4"	42	18	22
Ø 1"	45	23.5	21
Ø 1" 1/4"	52	29.5	23.5
Ø 1" 1/2"	52	39.5	22.5

Croce filettata femmina

14063

Female threaded cross

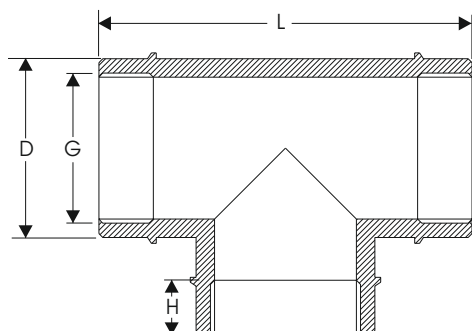


G	L	D	H
Ø 1/2"	58	28	18
Ø 3/4"	70	35	19.5
Ø 1"	78	42.5	21
Ø 1" 1/4"	93.5	51.5	27
Ø 1" 1/2"	100	59.5	27
Ø 2"	190	81	30.5
Ø 3"	222	110	35.5
Ø 4"	259	135.5	35.5

Tee 90° Filettata femmina

14062

90° female threaded Tee

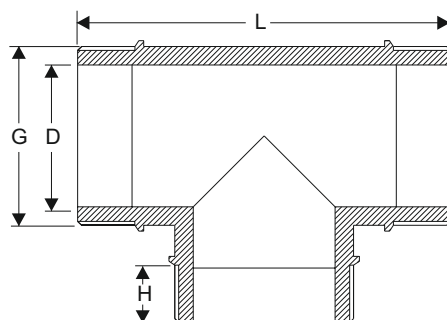


G	L	D	H
Ø 1/2"	57.5	28	18
Ø 3/4"	70	34.5	20
Ø 1"	88	42.6	23
Ø 1" 1/4"	96	50.5	25
Ø 1" 1/2"	130	65	26
Ø 2"	140	80	28
Ø 2" 1/2"	194	95	28
Ø 3"	222	110	35
Ø 4"	259	135.5	36

Tee 90° Filettata maschio

14050

90° male threaded Tee

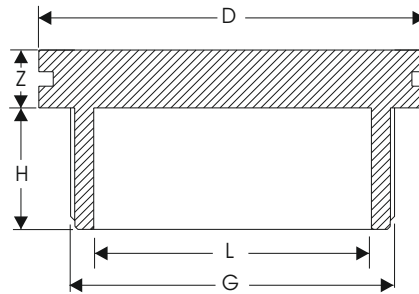


G	L	D	H
Ø 1/2"	77.5	14	21
Ø 3/4"	82.5	17.5	21.5
Ø 1"	89.5	23.7	22
Ø 1" 1/4"	96.5	30	22
Ø 1" 1/2"	107.5	39	22.5
Ø 2"	150.3	44.5	27.5

Tappo Filettato

Threaded plug

16010

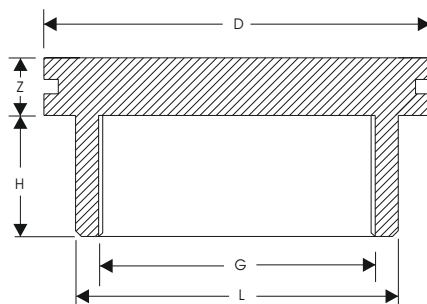


G	L	D	Z	H
Ø 1/2"	14	25.5	7.5	17.5
Ø 3/4"	17.5	31	.5	19
Ø 1"	23	38	10.5	22
Ø 1" 1/4"	29	48	10.5	24.5
Ø 1" 1/2"	34.5	54	10.5	24.5
Ø 2"	43.5	64	15.5	25.5
Ø 2" 1/2	59	80	15.5	28.5
Ø 3"	67	93	17.5	31
Ø 4"	96	135	20.5	43

Calotta Filettata

Threaded cap

16020



G	L	D	Z	H
Ø 1/2"	27	27	/	14
Ø 3/4 "	34	34	/	16
Ø 1"	41	41	/	20
Ø 1" 1/4"	53	53	/	22
Ø 1" 1/2"	60	60	/	22
Ø 2"	72	72	/	25
Ø 2" 1/2	95	94	17.5	38
Ø 3"	110	112	17.5	40
Ø 4"	135	135	20.5	49



Member of Green
Building Council Italia



PLASTICA ALFA

Zona Industriale C.da Santa Maria Poggiarelli s.n - 95041 CALTAGIRONE (CT) - Italy
Tel. +39.0933.51973 - Fax +39.0933.53049
comunicazione@plasticalfa.it - exportdpt@plasticalfa.it - www.plasticalfa.it

absolutely made in italy

