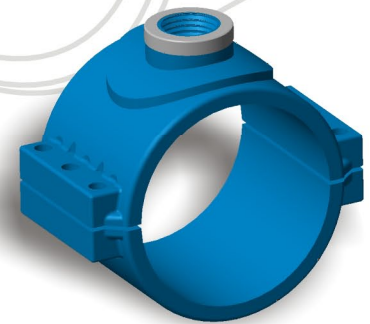
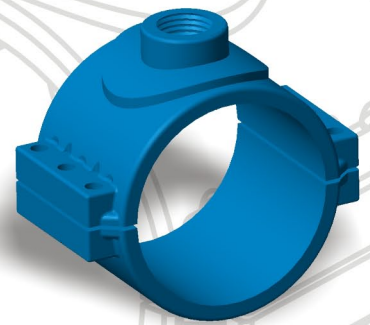


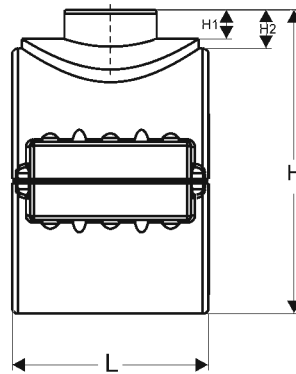
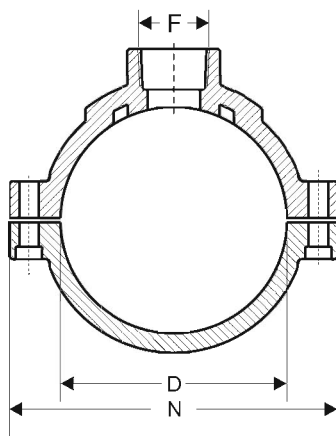


PLASTICA ALFA



CLAMP SADDLES

for HDPE and PVC pipes
IPS SIZING



FIELDS OF APPLICATION
 piping network
 golf course
 irrigation

MATERIALI-MATERIALS

Corpo Body Polipropilene Copolimero/Copolimer polypropilene
Viti e Bulloni Bolts and nuts Acciaio galvanizzato/Galvanized Steel

Guarnizione O.Ring: Gomma nitrilica/Nitrilic rubber
Anello di rinforzo Reinforced ring Acciaio Inox/stainless steel

* available with Bolts and nuts in Stainless Steel A2 AISI 304

Clamp	D	F	N	H	H1	H2	L	N° BOLT
2"	60.3	1/2" NPT	102.7	96.5	18.6	18.6	67.5	4
		3/4" NPT		96.5	18.6	18.6		
		1" NPT		97.5	19.6	19.6		
3"	88.9	1/2" NPT	131	125.9	13.8	18.6	84.3	6
		3/4" NPT		125.9	13.8	18.6		
		1" NPT		126.9	14.8	19.6		
4"	114.3	1/2" NPT	158	152	14	18.5	98.2	6
		3/4" NPT		152	14	18.5		
		1" NPT		153	15	19.5		

Reference: ASTM D 3035, F714 and AWWA C- 901/906

nominal
 working pressure
PN 16



PLASTICA ALFA

absolutely made in italy

Zona Industriale C.da Balchino - P.O BOX 121- 95041 - Caltagirone (CT) Italy Tel. +39.0933.51973 - Fax. +39.0933.53049
 e.mail: exportdpt@plasticalfa.it - web: www.plasticalfa.it